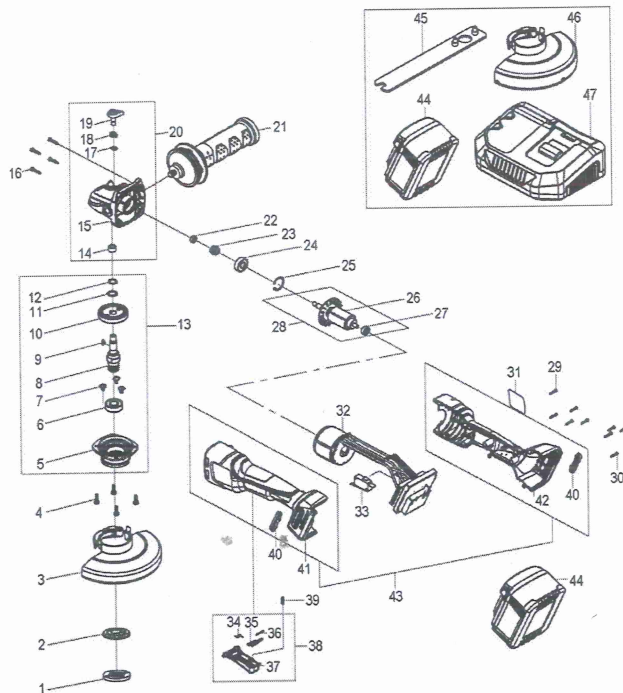


# BT-B5204501

## 20V CORDLESS BRUSHLESS 5"(125MM) ANGLE GRINDER



### PARTS LIST

No.	Description	Q'ty	No.	Description	Q'ty
1	Outer Flange	1	23	Gear	1
	Imperial Outer Flange	1	24	Bearing	1
	Inner Flange	1	25	Retaining Ring	1
2	Imperial Inner Flange	1	26	Rotor	1
	Grinding Guard	1	27	Bearing	1
4	Screw	4	28	Rotor Assembly	1
5	Cover of Gear Box	1	29	Self-tapping screw	8
6	Bearing	1	30	Self-tapping screw	1
7	Screw	3	31	Spec Sticker	1
8	Spindle	1	32	Stator Assembly with Controller	1
	Imperial Spindle	1	33	Switch	1
9	Semicircle key	1	34	Torsion Spring	1
10	Big Gear	1	35	Trigger Lock	1
11	Wave Pad	1	36	Cylindrical pin	1
12	Retaining Ring	1	37	Trigger	1
13	Gear Box Cover Assembly	1	38	Trigger Assembly	1
14	Oil Bearing	1	39	Trigger Spring	1
15	Gear Box	1	40	Cover of Dust screen	2
16	Self-tapping Screw	4	41	Left Housing	1
17	Retaining Ring	1	42	Right Housing	1
18	Button Spring	1	43	Housing Assembly	1
19	Button	1	44	4.0Ah Battery	2
20	Gear Box Assembly	1	45	Wrench	1
21	Auxiliary Handle	1	46	Cutting Guard	1
22	Nut	1	47	Charger	1

BT-B5204501-P-1905A-EC