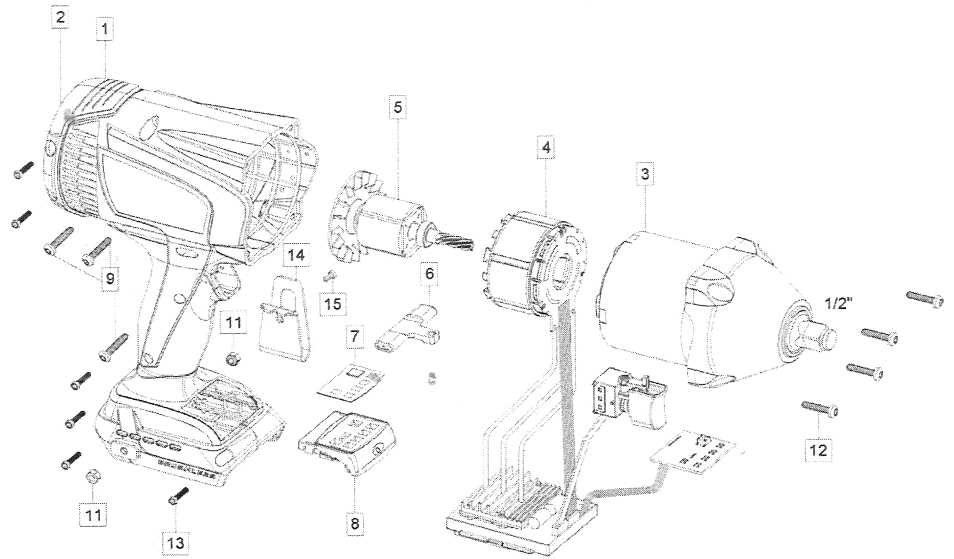


# BT-B5203041

## 20V CORDLESS BRUSHLESS 1/2"(13MM) IMPACT WRENCH



### PARTS LIST

No.	Description	Q'ty
1	Left Housing	1
2	Right Housing	1
3	Gear Box Assembly 1/2" / Retainer	1
4	Motor Stator Assembly with Controller	1
5	Motor Rotor Assembly	1
6	Forward / Reverse Control Button	1
7	Speed / Torque Selector Label	1
8	Cover for Speed / Torque Selector	1
9	Black Screw (4x16)	3
11	Nylon Nut, M4	2
12	Black Screw (4x20)	4
13	Black Screw (3x16)	6
14	Hook	1
15	Black Screw (4x8)	1

BT-B5203041-P-1905A-EC