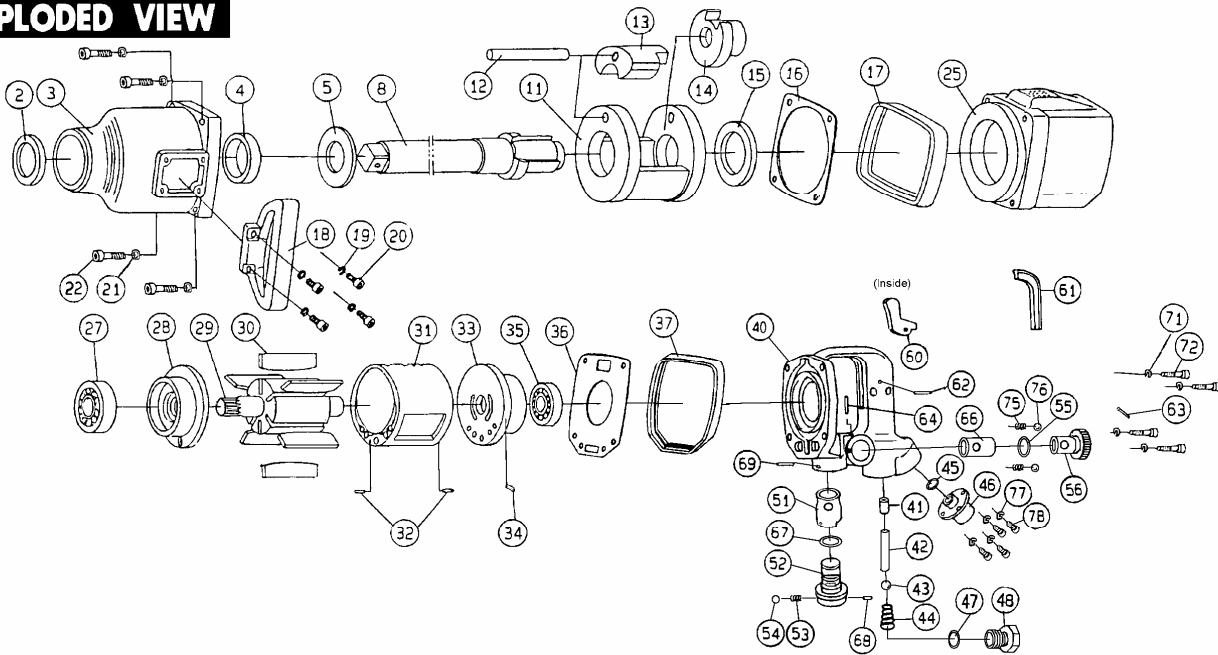


AIXIA-45SA, 45SA-2 IMPACT WRENCH

EXPLODED VIEW



PARTS LIST

27/03/2003

◆Parts may be changed with or without notice for improvement.

| PART S No. | NAME OF PARTS | PER SET | PARTS CODE | PRICE @ | ORDE R | PART S No. | NAME OF PARTS | PER SET | PARTS CODE | PRICE @ | ORDE R |
|------------|---|---------|------------|---------|--------|------------|--|---------|------------|---------|--------|
| 2 | Oil Seal | 1 | 042556VB | | | 36 | Motor Case Packing | 1 | 20455351 | | |
| 3A | Hammer Case Assembly (No.2 ~ No.4) | | 1045511 | | | 37 | Rear Protect Rubber | 1 | 20455D51 | | |
| 3 | Hammer Case | 1 | 20455370 | | | 40A | Inside Lever Frame Handle Assembly (No.36, No.40 ~ No.78) | | 140063 | | |
| 4 | Hammer Case Bushing | 1 | 23215423 | | | 40 | Frame Handle | 1 | 10325D41 | | |
| 5 | Thrust Washer | 1 | 24005510 | | | 41 | Throttle Bushing | 1 | 10325422 | | |
| 8 | Anvil (9") | 1 | 20455A20 | | | 42 | Throttle Pin | 1 | 10325280 | | |
| 8 | 2" Anvil (for 45SA-2) | 1 | 20455A21 | | | 43 | Throttle Valve | 1 | 008030G | | |
| 11 | Hammer Frame | 1 | 20455D00 | | | 44 | Throttle Spring | 1 | 10325232 | | |
| 12 | Hammer Pin | 1 | 20455C90 | | | 45 | O-Ring | 1 | 001600PR | | |
| 13 | Hammer | 1 | 20455C70 | | | 46 | Inlet Bushing | 1 | 10325424 | | |
| 14 | Driver | 1 | 20455C30 | | | 47 | O-Ring | 1 | 002100PR | | |
| 15 | Spacer | 1 | 24005250 | | | 48 | Throttle Plug | 1 | 10325D30 | | |
| 16 | Hammer Case Packing | 1 | 20455350 | | | 51 | Valve Bushing | 1 | 10325421 | | |
| 17 | Front Protect Rubber | 1 | 20455D50 | | | 52 | Reverse Valve | 1 | 10325E11 | | |
| 18 | D-Handle | 1 | 10325C10 | | | 53 | Spring | 1 | 20191230 | | |
| 19 | Spring Washer (for D-Handle) | 4 | 008030G | | | 54 | Steel Ball | 1 | 004000S | | |
| 20 | Hex.Cap Bolt (for D-Handle) | 4 | 006180CB | | | 55 | O-Ring | 1 | 001500PR | | |
| 21 | Spring Washer | 4 | 008030G | | | 56 | Adjust Valve | 1 | 10325011 | | |
| 22 | Hex.Cap Bolt | 4 | 008300CB | | | 60 | Inside Lever | 1 | 23215180 | | |
| 25A | Motor Case Assembly (No.21 ~ No.35, No.37) | | 104552 | | | 61 | Rubber | 1 | 23215A90 | | |
| 25 | Motor Case | 1 | 20455460 | | | 62 | Spring Pin | 1 | 040280SP | | |
| 27 | Ball Bearing | 1 | 06305Z00 | | | 63 | Needle Pin | 1 | 040218NK | | |
| 28 | Front End Plate | 1 | 24005040 | | | 64 | Spring Pin | 1 | 040320SP | | |
| 29 | Rotor | 1 | 20455490 | | | 66 | Adjust Bushing | 1 | 10325426 | | |
| 30 | Vane | 6 | 20455500 | | | 67 | O-Ring | 1 | 001600PR | | |
| 31A | Cylinder Assembly (No.31, No.32) | | 1045523 | | | 68 | Spring Pin | 1 | 030080S | | |
| 31 | Cylinder | 1 | 20455190 | | | 69 | Spring Pin | 1 | 040320SP | | |
| 32 | Spring Pin | 2 | 040200SP | | | 71 | Spring Washer | 4 | 008030G | | |
| 33A | Rear End Plate Assembly (No.33, No.34) | | 2400522 | | | 72 | Hex.Cap Bolt | 4 | 008250CB | | |
| 33 | Rear End Plate | 1 | 24005050 | | | 75 | Spring | 2 | 20191230 | | |
| 34 | Spring Pin | 1 | 040080SP | | | 76 | Steel Ball | 2 | 004000S | | |
| 35 | Ball Bearing | 1 | 06205000 | | | 77 | Spring Washer | 4 | 008030G | | |
| | | | | | | 78 | Hex.Cap Bolt | 4 | 005150CB | | |